



PROJECT

TYPE

DATE

ITEM NO.

NOTE

INFINITY VOLUMETRIC LED TROFFER, CENTER DIFFUSER

ILT-CB-S3 Series

Panels and Troffers

DESCRIPTION

The Infinity Volumetric LED Troffer series combines the benefits of long life, controllability, and energy savings with elegant design and superior quality of light. The ILT luminaires optimize LED optics and electronics to deliver energy savings and high performance.

APPLICATION

Indoor general/ambient illumination. Idea for offices, schools, retail, and other architectural spaces that demand energy demand reduction and high quality light.



SPECIFICATION FEATURES

Construction

Rugged construction: solid die-formed, cold-rolled steel. Interior utilizes highly reflective powder coat finish. All surfaces coated and baked post-fabrication with high gloss powder-paint. Diffuser lens provides even and consistent light while eliminating pixelation. Tool-less removal of diffuser allows access to LED array. LED module and driver are replaceable. Housing and optics maintain damp location rating with all internal components.

Electrical

Luminaire utilizes long life, high efficacy LEDs and a highly efficient, reliable LED driver. 120-277V input voltage for increased versatility. 0-10V continuous dimming comes standard. Ideal when used in conjunction with controls and sensors. Comes equipped with quick disconnect for compliance with US code

Mounting

Installs recessed with T-bar grid. LED module arrays and drivers accessible from fixture during service and operation, no need to access via plenum.

Finish

Highly reflective powder coat finish. Baked white matte paint, applied after fabrication.

Optics

Volumetric effect achieved by delivering a comfortable mix of light to working and surrounding surfaces, creating balanced illumination throughout the environment. Occupants can realize a productive and comfortable atmosphere through enhanced light quality and distribution. Diffuser shape, pattern, and opacity designed in conjunction with precisely-engineered reflector cavity angles to distribute LED light consistently, reducing glare and pixelation.

Certifications / Regulatory

cULus listed for dry and damp locations rated.IC rated.

Warranty

7-year limited warranty. See complete warranty terms for details.

Quick Ship Product

ILT-CB-22(28/20/17/14S3)/8A-12V-C

ILT-CB-24(41/34/28/20S3)/8A-12V-C

ILT-CB-24(62/46/41/36S3)/8A-12V-C

ORDERING INFORMATION

Sample Number: **ILT-CB-22(28/20/17/14S3)/8A-C**

Series	Length	Lumen Package		
ILT-CB - Infinity Volumetric LED Troffer, Center Diffuser	14 - 1'x4'	1'x4'	2'x2'	2'x4'
	22 - 2'x2'	14(28/20/17/14S3)	22(28/20/17/14S3)	24(41/34/28/20S3)
	24 - 2'x4'	- 28/20/17/14W, 4200/3000/2550/2100lm	- 28/20/17/14W, 4200/3000/2550/2100lm	- 41/34/28/20W, 6150/5100/4200/3000lm 24(62/46/41/36S3) - 62/46/41/36W, 9300/6900/6150/5400lm

CRI	CCT	Auxiliary Power	Input Voltage	Customization	Control Option
8 - 80CRI	A - CCT Adjustable	(Blank) - without Aux	(Blank) - 120-277V	(Blank) - standard housing	MMS - Step dimming Motion Sensor and daylight sensor *configuration tool required
9 - 90CRI	(6500/5000/4000/3500/3000K)	12V - with Aux 12V	C - 120-347V 480 - 480V	AH - with air handling slots	MMS-BLE - Wireless Bluetooth mesh and occupancy sensor AWN - Lutron Athena wireless node integral fixture control (RF only) AWNS - Lutron Athena wireless node integral fixture control (RF with daylight and occupancy sensing)*

Emergency Backup	Assembly in USA	Accessories
EM15W - 15W constant power with integrated self-diagnostic test	(Blank) - Non-BAA BAA - Assembly in USA	FLK - Flange Kit SMK - Surface Mount Kit

*Recommended to be used at heights of 8-12 feet for optimal coverage.

SUMMARY

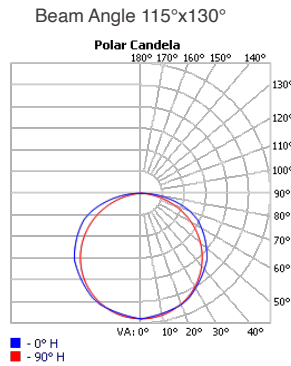
Input Voltage	120-277V
Input Power	See energy data for details
Power Factor	>0.95
THD (Max.)	<20%
Efficacy	150 LPW
Delivered Lumens	See energy data for details
Controls/ Dimming	0-10V dimming standard
Dimming Range	10-100%
CRI	> 80
CCT	6500/5000/4000/3500/3000K Selectable
Operating Temp.	-4°F~122°F (-20°C~50°C)
Rated Life	70,000 hours

ENERGY PERFORMANCE DATA

Form Factor	Part No.	Rated Wattage (W)	Delivered Lumens (lm)	Efficacy (lm/W)
1'x4'	ILT-CB-14(28/20/17/14S3)/8A	28/20/17/14	4200/3000/2550/2100	150
2'x2'	ILT-CB-22(28/20/17/14S3)/8A	28/20/17/14	4200/3000/2550/2100	
2'x4'	ILT-CB-24(41/34/28/20S3)/8A	41/34/28/20	6150/5100/4200/3000	
	ILT-CB-24(62/46/41/36S3)/8A	62/46/41/36	9300/6900/6150/5400	

*The delivered lumens above are based on highest wattage and 4000K.
 **Default setting at time of shipping are highest wattage and highest CCT.

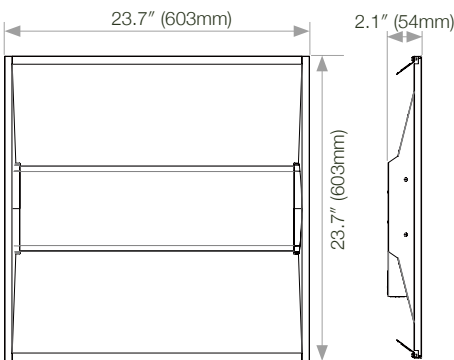
OPTICS



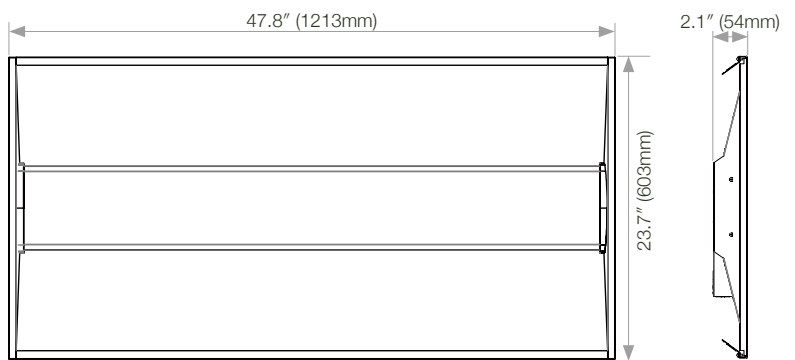
PHYSICAL PARAMETERS

DIMENSION

ILT-CB-22



ILT-CB-24



ILT-CB-14

