



PROJECT

TYPE

DATE

ITEM NO.

NOTE

LED VAPOR TIGHT

LVT-S3 Series

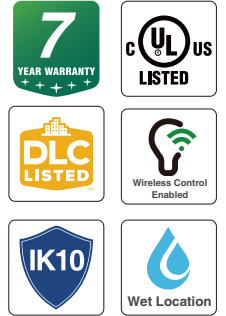
Vapor tight Luminaires

DESCRIPTION

The Alphalite LVT series is a modern and versatile integrated LED solution that delivers long life and energy savings within a low profile design. The rugged housing and dedicated LED design offers advanced thermal management and protection against indoor and semi-outdoor environments.

APPLICATION

Applications include parking garage, canopy, car wash, cold storage, transportation, retail and other environments where moisture or dust may be present.



SPECIFICATION FEATURES

Construction

Non-Corrosive (PC) Polycarbonate housing with stainless steel spec grade hasps and clips will provide resistance to corrosion, rust and weathering. Performance-engineered, integral structure provides superior thermal management for long life and reliability. Housing and optics maintain IP66 and impact resistance IK10 rating. Tamper proof option available.

Electrical

Luminaire utilizes long life, high efficacy LEDs and a highly efficient, reliable LED driver. 120-347V input voltage for increased versatility. Comes equipped with quick disconnect for compliance with US code. 0-10V dimming comes standard.

Mounting

Quick mounting clips included. Suitable for suspension mounting, surface mounting, Junction box mounting or pendant mounting.

Finish

Grey housing and frosted lens finish standard.

Optics

Highly efficient polycarbonate lens effectively reduces LED pixelation and diffuses light for less glare.

Controls / Dimming

0-10V continuous dimming comes standard. Suitable for use with dimmers, sensors, and other control strategies to achieve deeper energy-savings and code compliance.

Certifications / Regulatory

cULus listed for wet locations rated. DLC 6.0 listed.

Warranty

7-year limited warranty. See complete warranty terms for details.

Quick Ship Product

LVT-2S3-40L3-8A3
LVT-4S3-50L3-8A3
LVT-4S3-100L3-8A3
LVT-8S3-120L3-8A3

ORDERING INFORMATION

Sample Number: LVT-2S3-40L3-8A3

Series	Length	Lumen Package			CRI
LVT	2S3 - 2'	2'	4'	8'	8 - 80CRI
- LED Vapor Tight	4S3 - 4'	40L3	50L3	120L3	
	8S3 - 8'	- 26/21/17W, 4000/3200/2500lm	- 34/26/21W, 5100/4000/3200lm	- 80/68/52W, 12000/10000/8000lm	
			100L3		
			- 68/52/42W, 10000/8000/6500lm		

CCT	Auxiliary Power	Input Voltage	Control Option
A3 - CCT 3500/4000/5000K Adjustable	(Blank) - without AUX 12V - with AUX 12V	(Blank) - 120-347V	OS - Step dimming PIR motion and daylight sensor *configuration tool required MMS - Step dimming Microwave Sensor and daylight sensor *configuration tool required OS-BLE - Wireless Bluetooth mesh and PIR sensor

Emergency Backup	Assembly in USA	Accessories
EM15W - 15W constant power with integrated self-diagnostic test	(Blank) - Non-BAA BAA - Assembly in USA	ACC-Type-I - Type I aircraft cable longest 47" for suspension mount (1 set for 2, 4ft, 2 sets for 8ft) S-CHAIN SET - 40" jack chain for suspension mount (1 set for 2, 4ft, 2 sets for 8ft) LVT-S3-PMK - Pendant Mounting Kit (1 set for 2, 4ft, 2 sets for 8ft, pipe or stems not provide) LVT-S3-X-WG - Wire guard (x as 2, 4, 8 for different length, required field installation)

SUMMARY

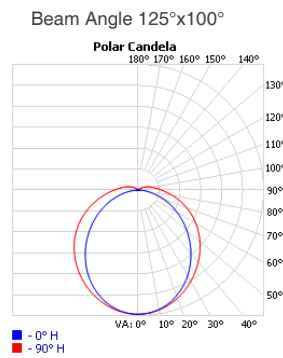
Input Voltage	120-347V
Input Power	See energy data for details
Power Factor	> 0.95
THD (Max.)	10%
Efficacy	150 LPW
Delivered Lumens	See energy data for details
Controls/ Dimming	0-10V dimming standard
Dimming Range	10-100%
CRI	> 80
CCT	3500/4000/5000K Adjustable
Operating Temp.	-40°F~104°F (-40°C~40°C)
Rated Life	70,000 hours
IP Grade	IP66
IK Rate	IK10

ENERGY PERFORMANCE DATA

Form Factor	Part No.	Rated Wattage (W)	Delivered Lumens (lm)	Efficacy (lm/W)
2'	LVT-2S3-40L3-8A3	26/21/17	4000/3200/2500	150
4'	LVT-4S3-50L3-8A3	34/26/21	5100/4000/3200	150
	LVT-4S3-100L3-8A3	68/52/42	10000/8000/6500	150
8'	LVT-8S3-120L3-8A3	80/68/52	12000/10000/8000	150

*The delivered lumens above are based on highest wattage and 4000K.
 **Default setting at time of shipping are highest wattage and highest CCT.

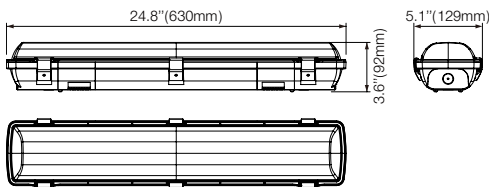
OPTICS



PHYSICAL PARAMETERS

DIMENSION

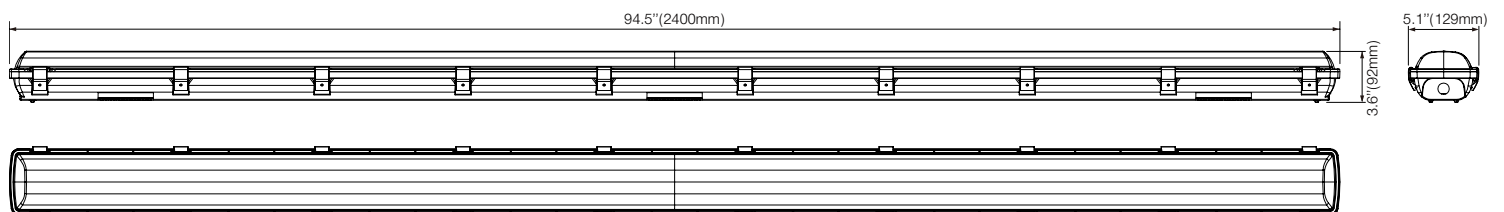
LVT-2



LVT-4

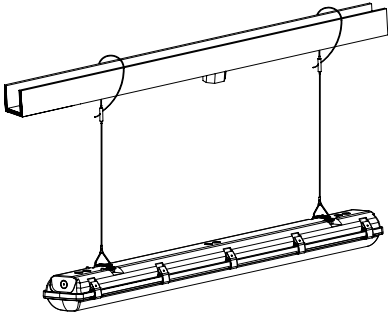


LVT-8

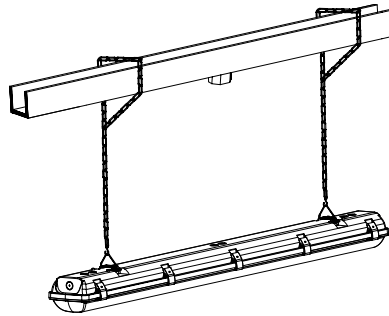


ACCESSORIES

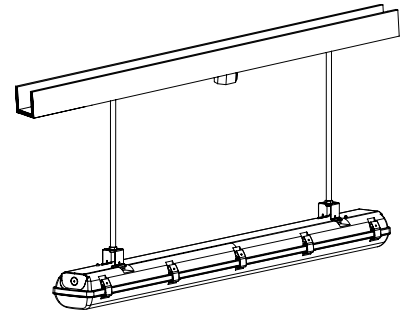
ACC-Type-I



S-CHAIN SET



LVT-S3-PMK



LVT-S3-X-WG

