

# Installation Instructions

## Linear LED Vapor Light



### WARNING Risk of Fire and Electric Shock.

The luminaire must be installed by a qualified electrician in accordance with applicable federal, state, and local laws and codes. Installation requires knowledge of luminaire electrical systems and installer should be familiar with the operation of this product. If not qualified, do not attempt installation; contact a qualified electrician. Manufacturer assumes no responsibility for the improper installation of this luminaire. When installing the fixture, drilling may damage luminaire wiring and electrical parts. Check for wiring and components in enclosure before drilling. Turn OFF power before installation or attempting any maintenance.

To prevent wiring damage or abrasion, do not expose wiring to edges of sheet metal or other sharp objects. When installing this kit, drilling may damage luminaire wiring and electrical parts. Check for wiring and components in enclosure before drilling.



### WARNING Risk of Burn.

Disconnect power and allow fixture to cool before handling or servicing.



### WARNING Risk of Personal Injury.

Wear gloves or proper handling protection to prevent cuts or abrasions when handling and maintaining this product. This equipment may have sharp edges. To reduce the risk of death, personal injury or property damage from fire, electric shock, falling parts, cuts/abrasions, and other hazards read all warning and instructions included with and on the fixture box and all fixture labels.

Avoid direct eye exposure to the light source while it is on.

### NOTICE

- Green ground screw provided in proper location. Do not relocate.
- Minimum 90°C supply conductors.
- Suitable for wet location.
- Specifications and dimensions subject to change without notice.



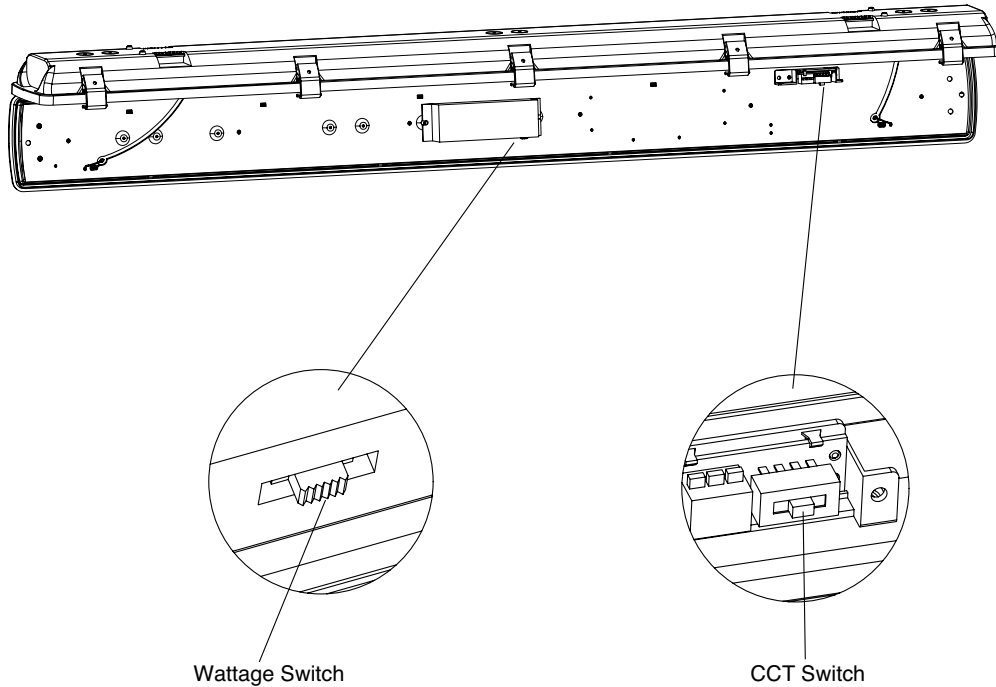
Contact manufacturer with any questions or concerns regarding installation of this luminaire.

# Alphalite

# Installation Instructions

## Linear LED Vapor Light

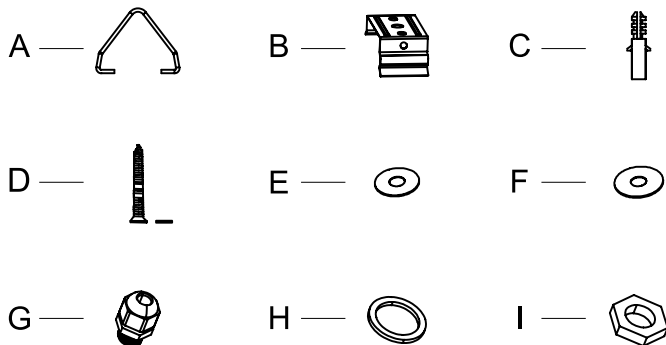
### Field-Adjustable Wattage & CCT



The end users may adjust the color temperature and lumen output respectively by the two DIP switch. Each DIP switch is accommodated with 3 options (left, middle and right), corresponding to 3 color temperatures and 3 powers respectively, which can perform the desired color temperature and lumen output combination.

1. DIP switches are located onto the side of the fixture.
2. Select a wattage and color temperature by sliding switch left or right respectively to the desired value.

### Parts Lists:



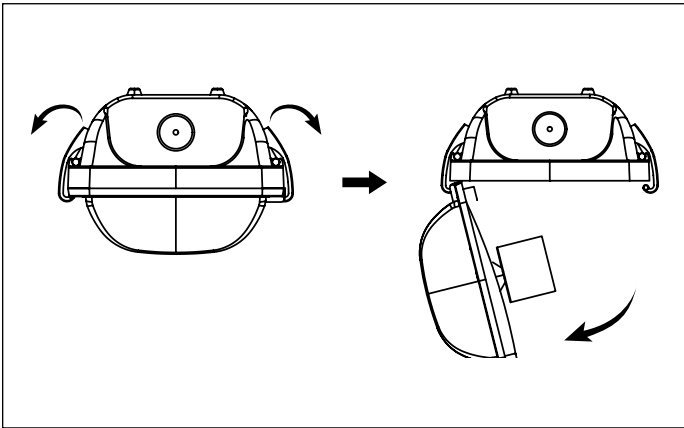
	Contents	2ft / 4ft	8ft
A	V-hook	2 pcs	3 pcs
B	Surface Mount Bracket	2 pcs	3 pcs
C	Plastic Tube-6*31mm	2 pcs	3 pcs
D	Self-drilling Screw-4*32*7mm	2 pcs	3 pcs
E	Metal Gasket-4*12*0.7mm	2 pcs	3 pcs
F	Rubber Gasket-4*12*1mm	2 pcs	3 pcs
G	Plug	1 pcs	1 pcs
H	Sealing Ring	1 pcs	1 pcs
I	Nut	1 pcs	1 pcs

# Alphalite

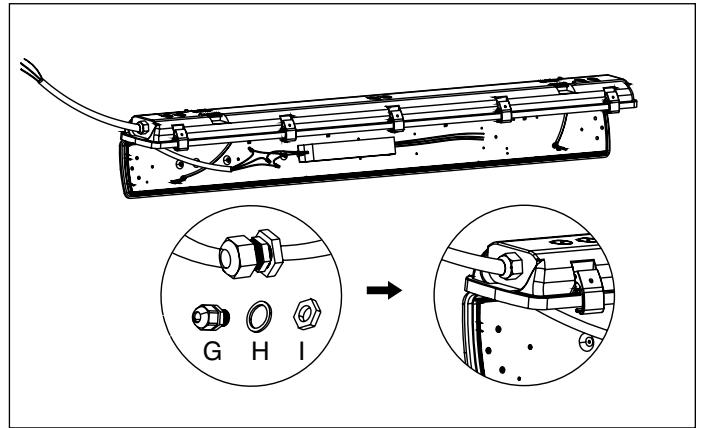
# Installation Instructions

## Linear LED Vapor Light

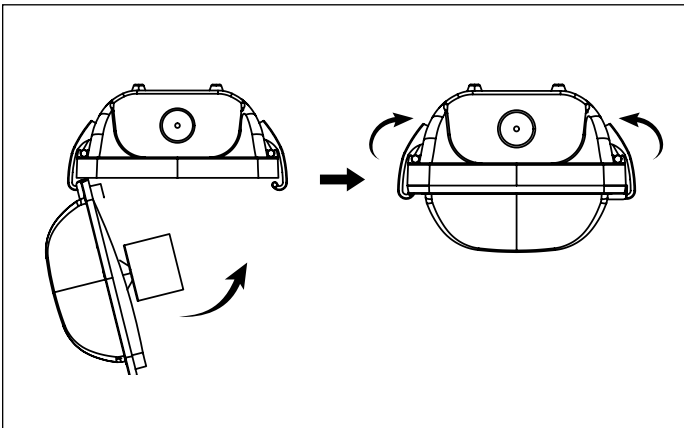
### Surface Mounting Installation Steps:



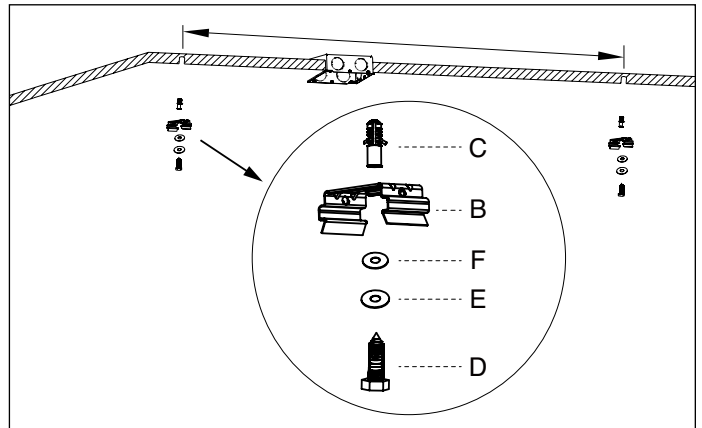
1. Release latches by pulling top of latch away from housing. Detach LED tray and lens from fixture.



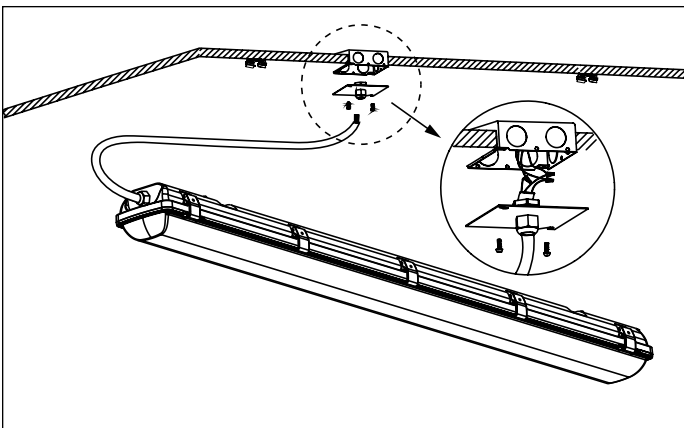
2. Connect an appropriate length of power cord to driver as shown in below figure[1]. (the flexible cord supplied by others)



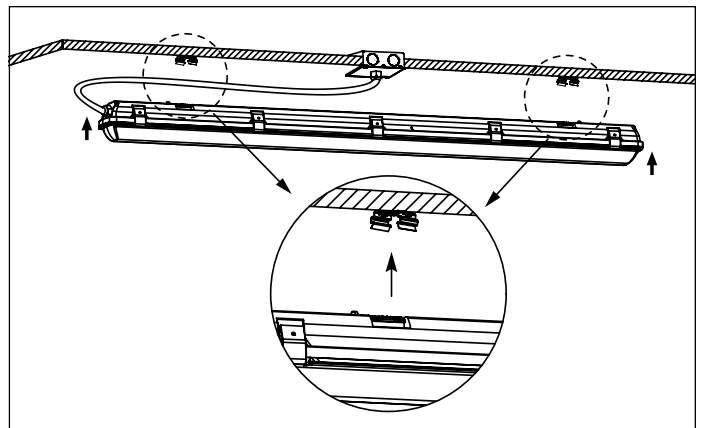
3. Reattach LED tray and lens to fixture by reversing step 1.



4. Locate and drill holes, then install clips to the ceiling surface using hardware found in hardware kit.



5. Connect fixture to AC power refer to general wiring diagram.



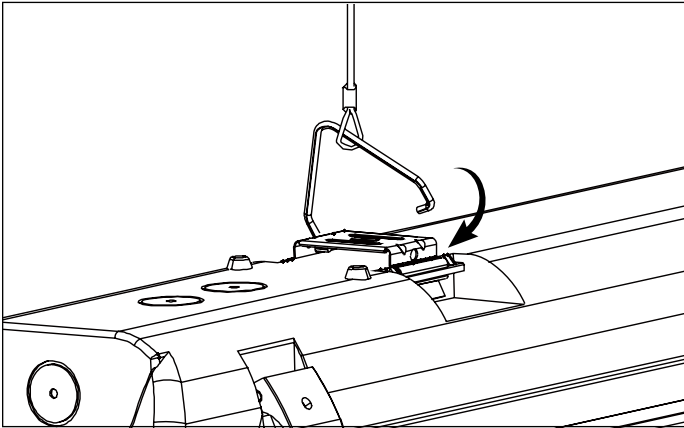
6. Press fixture housing to the clips until both sides of the housing recesses are secured.

# Alphalite

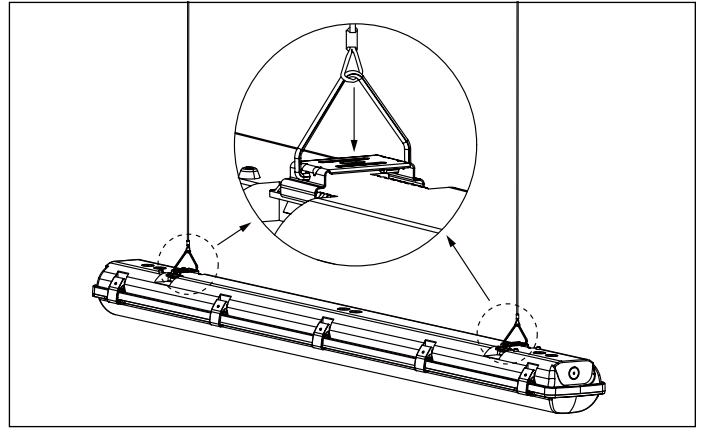
# Installation Instructions

## Linear LED Vapor Light

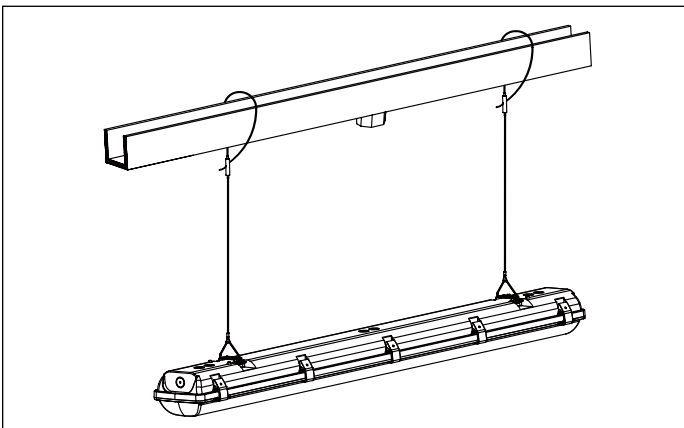
### A: Aircraft cable (ACC-Type-I order separately)



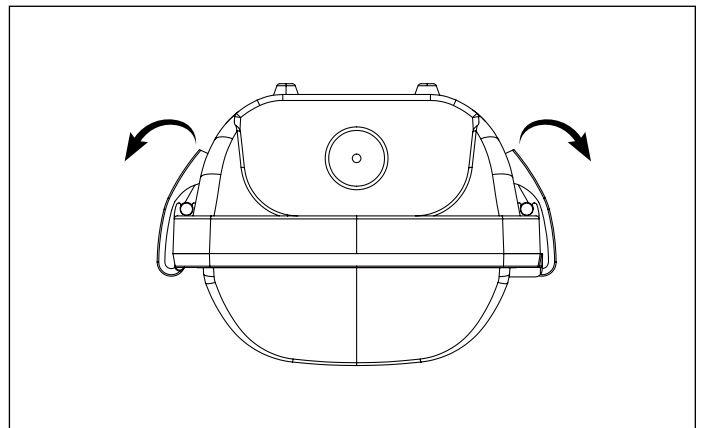
1. Thread the V hook through the ring at one end of the aircraft cable, and then install the V hook to the clips.



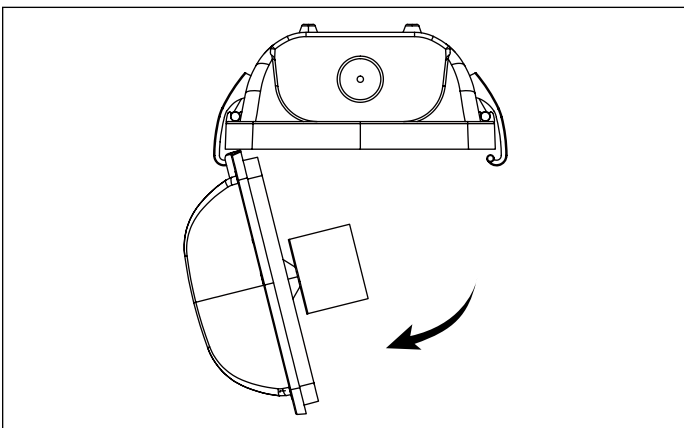
2. Secure mounting clips to housing recesses by firmly pressing them into place until both sides of the clip are secured.



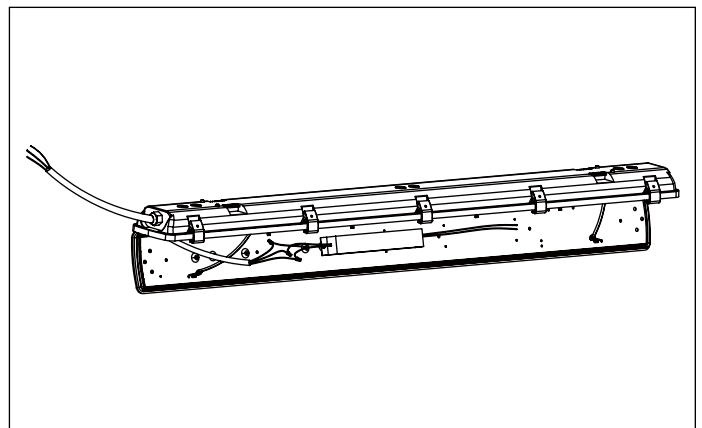
3. Loop the another end of cable to the beam, then insert into the hasp, adjust the cable to be desired height.



4. Release latches by pulling top of latch away from housing.



5. Without touching LED boards, detach LED tray and lens from fixture.

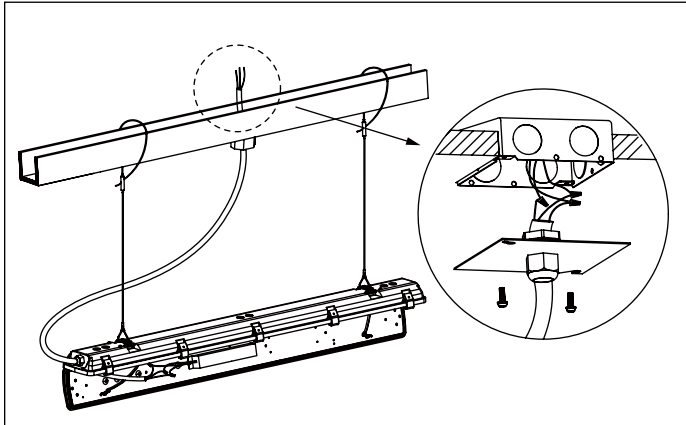


6. Connect power to driver as shown in the figure (the flexible cord supplied by others).

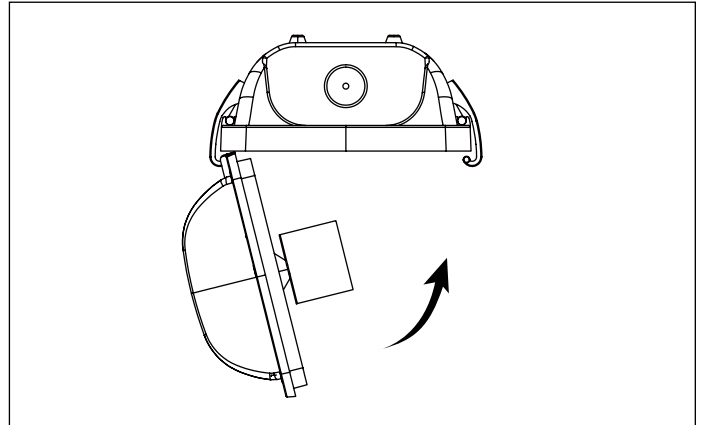
# Alphalite

# Installation Instructions

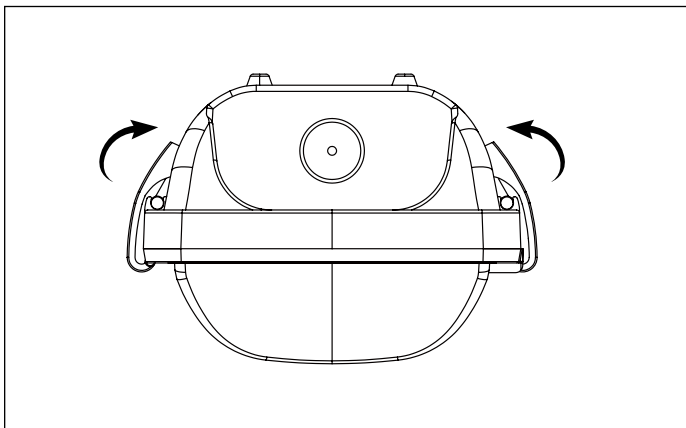
## Linear LED Vapor Light



7. Follow general wiring diagram on figure for reference. Make sure the power supply is disconnected before installing.



8. Reattach LED tray and lens to fixture by reversing step 5.



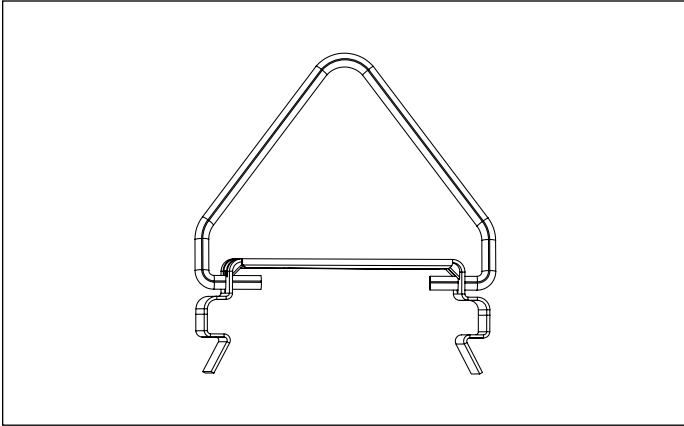
9. Secure lens to housing with lens latches.

# Alphalite

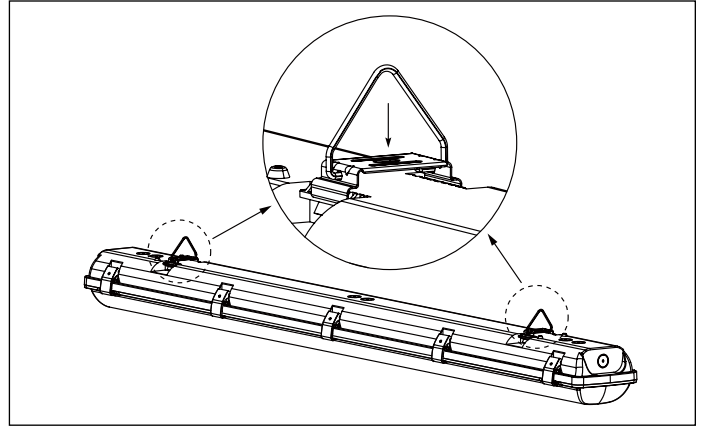
# Installation Instructions

## Linear LED Vapor Light

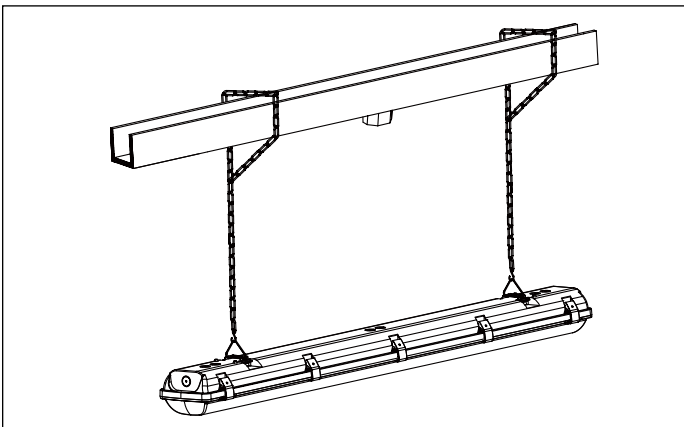
### B: Chain Kit (S-CHAIN SET order separately)



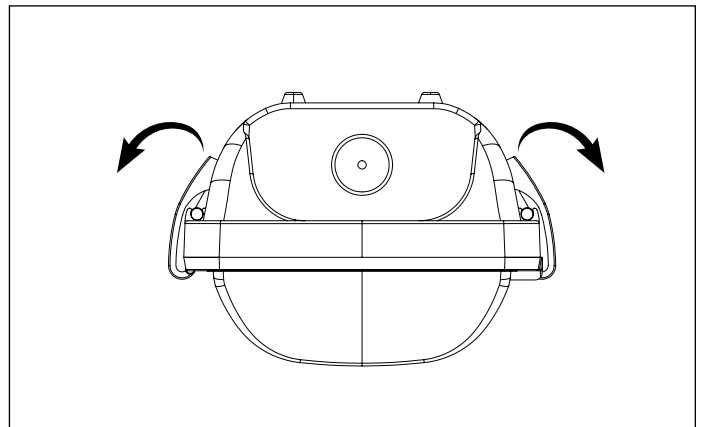
**1.** Attach V-bracket to each mounting clip by spreading the ends of the V-bracket apart and then inserting the legs into the holes in the side of the mounting clips.



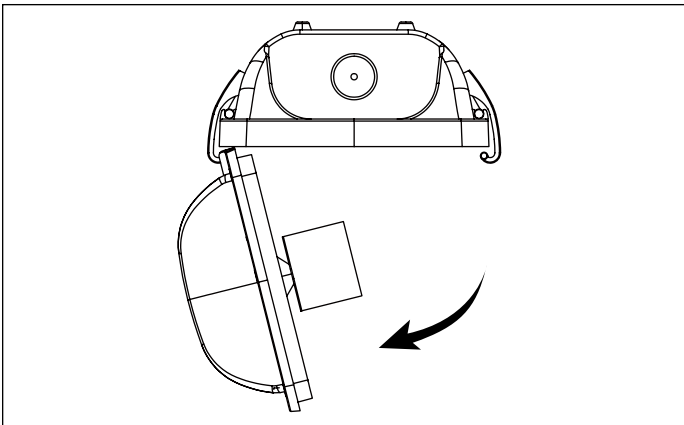
**2.** Secure mounting clips to housing recesses by firmly pressing them into place until both sides of the clip are secured.



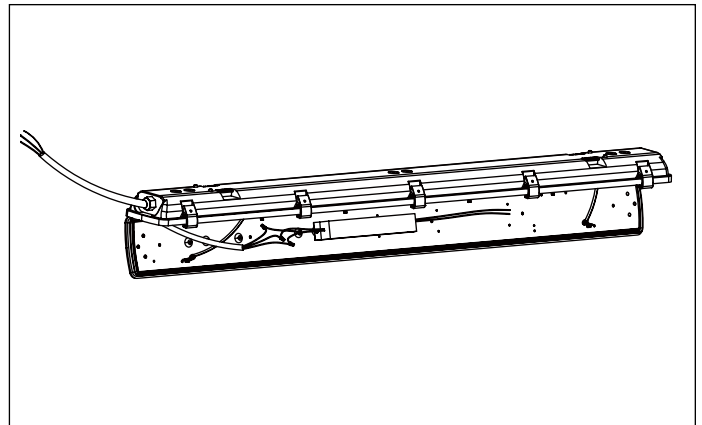
**3.** Hook one end of the chain into the V hook. Loop the another end of chain to the beam, then adjust the chain to be desired height and ensure the S hook is securely locked onto the chain.



**4.** Release latches by pulling top of latch away from housing.



**5.** Without touching LED boards, detach LED tray and lens from fixture.

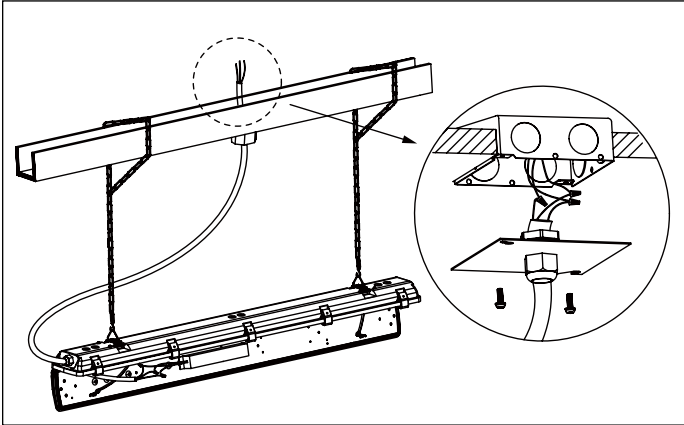


**6.** Connect power to driver as shown in the figure (the flexible cord supplied by others).

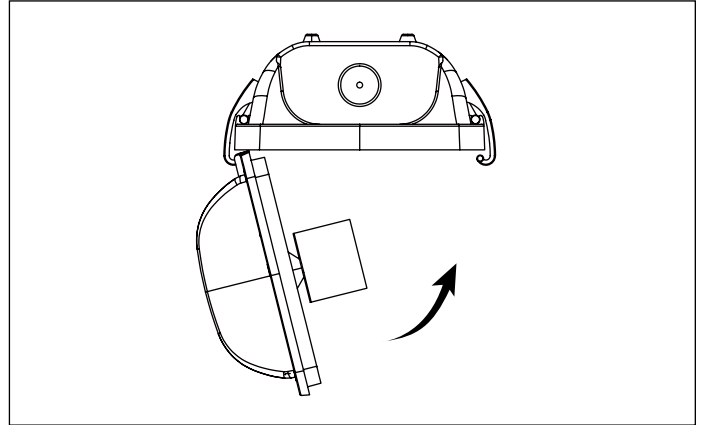
# Alphalite

# Installation Instructions

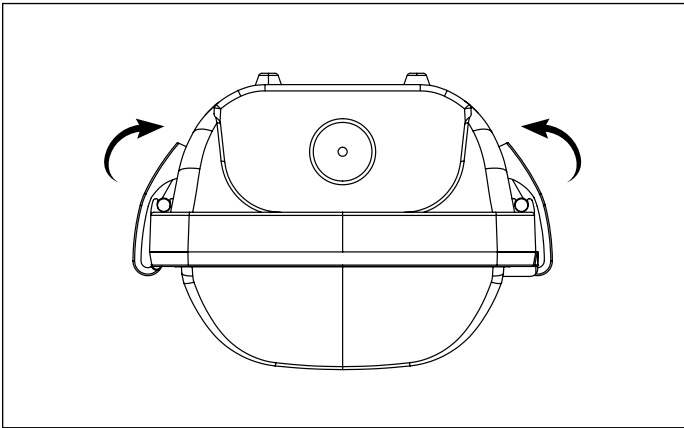
## Linear LED Vapor Light



7. Follow general wiring diagram on figure for reference. Make sure the power supply is disconnected before installing.

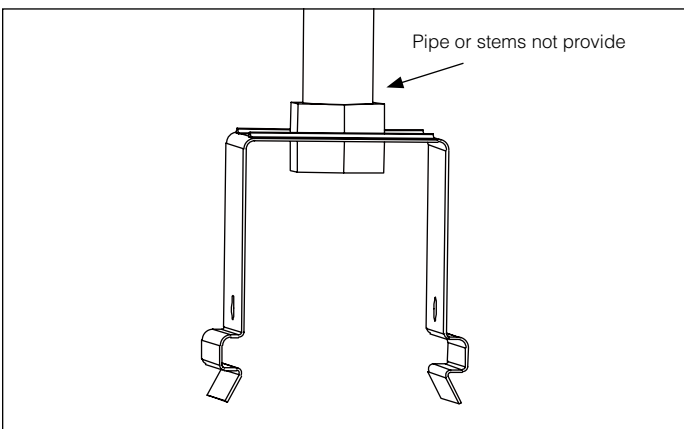


8. Reattach LED tray and lens to fixture by reversing step 5.

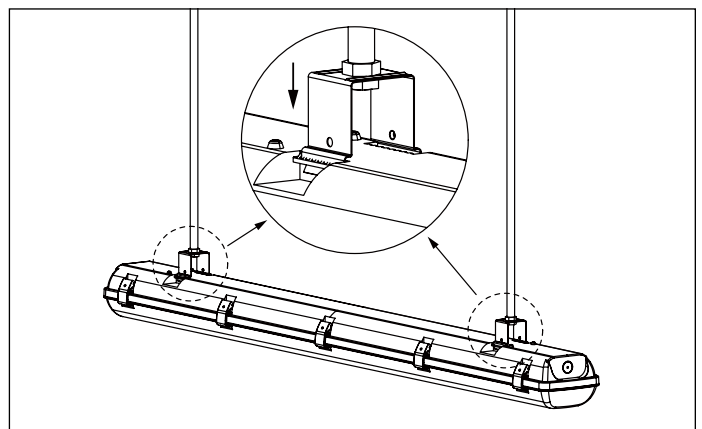


9. Secure lens to housing with lens latches.

### Pendant mount installation steps (PMK order separately):



1. Insert the boom into the hole of boom bracket and fix with a nut.

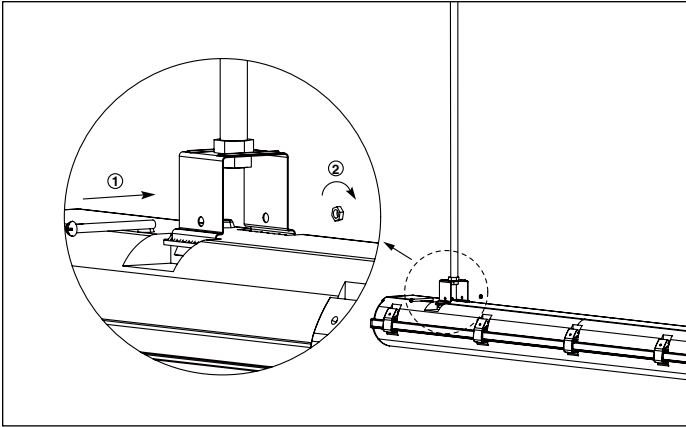


2. Secure mounting clips to housing recesses by firmly pressing them into place until both sides of the clip are secured.

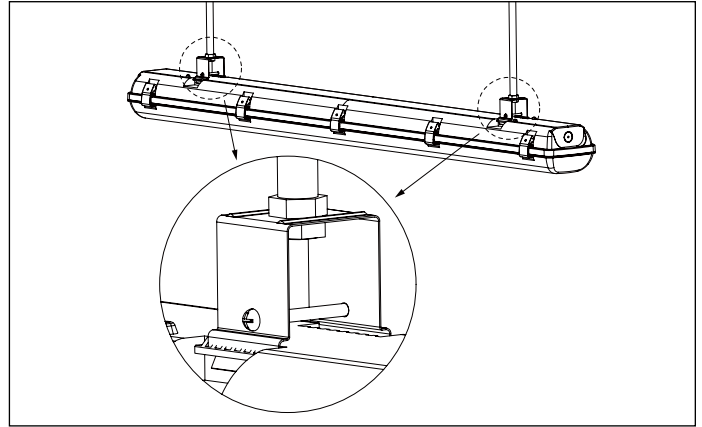
# Alphalite

# Installation Instructions

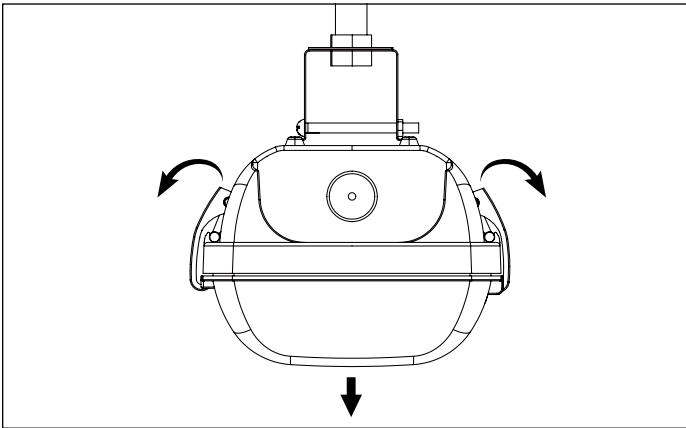
## Linear LED Vapor Light



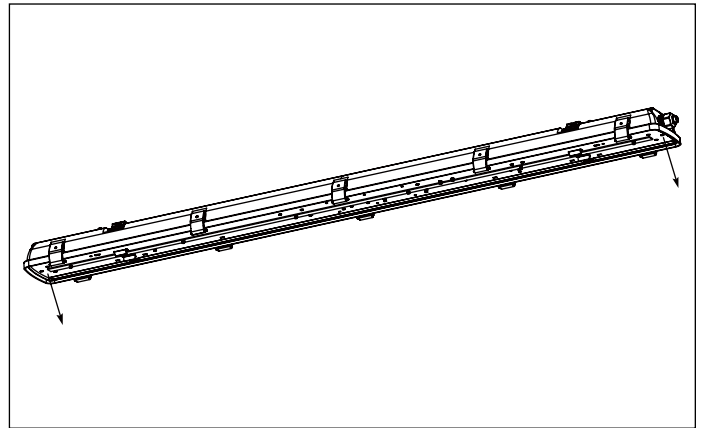
3. Insert the long screw into the hole on the side of the boom bracket and screw the nut on.



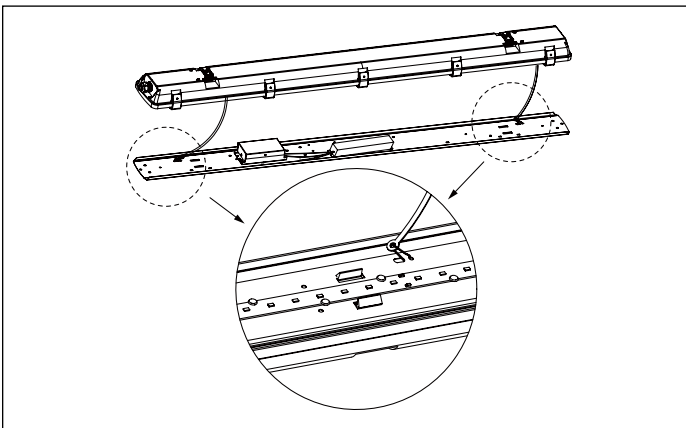
4. Tighten the nut so that the support does not fall off.



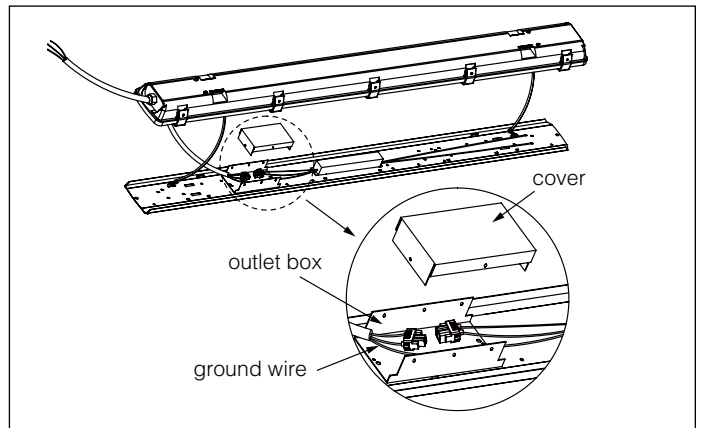
5. Release latches by pulling top of latch away from housing.



6. Without touching LED boards, detach LED tray from fixture.



7. Locate safety cable when opening to install fixture body and snap connect tether to gear tray before making electrical connection as shown in figure.

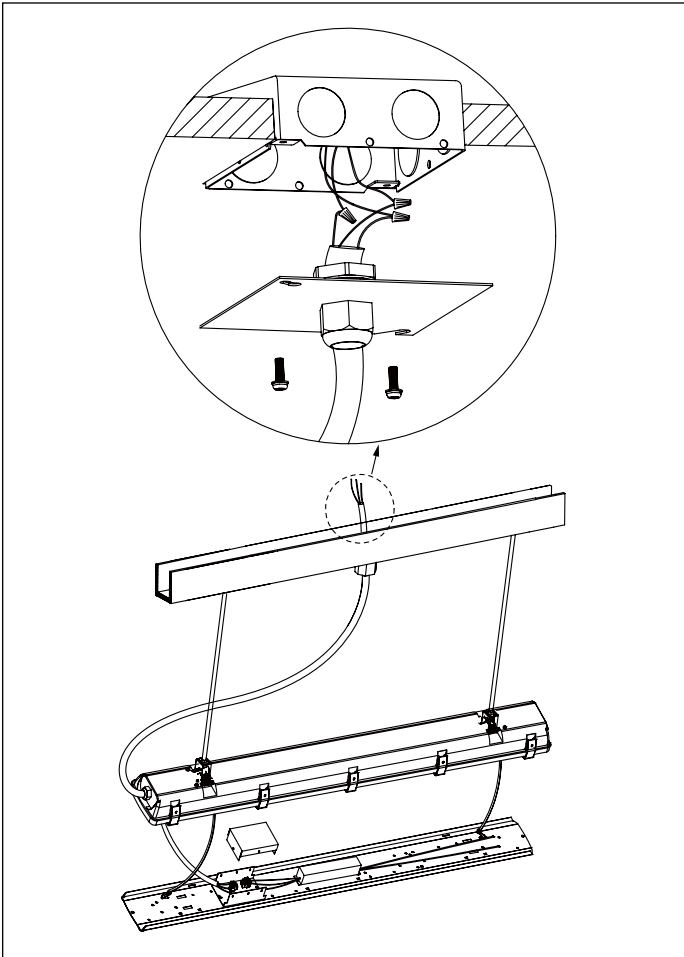


8. Connect power to driver through outlet box as shown in the figure (the flexible cord supplied by others), make sure to snap the cover to the outlet box after the wiring.

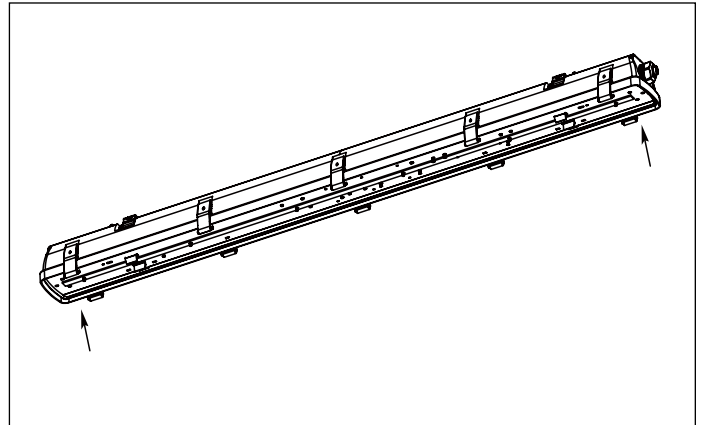
# Alphalite

# Installation Instructions

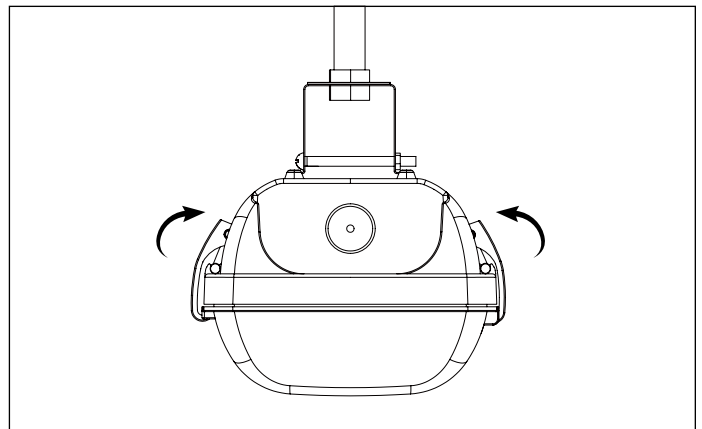
## Linear LED Vapor Light



**9.** Follow general wiring diagram on figure for reference. Make sure the power supply is disconnected before installing.



**10.** Reattach LED tray to fixture by reversing step 5.



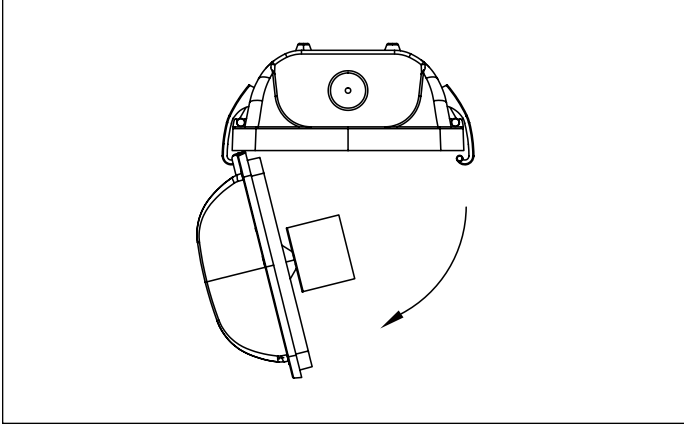
**11.** Secure lens to housing with lens latches.

# Alphalite

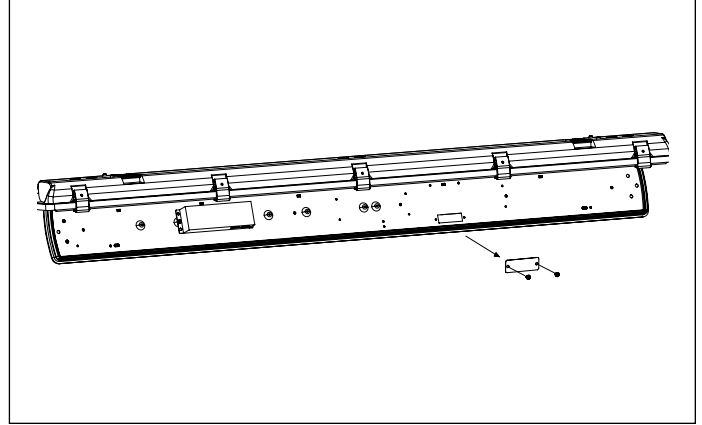
# Installation Instructions

## Linear LED Vapor Light

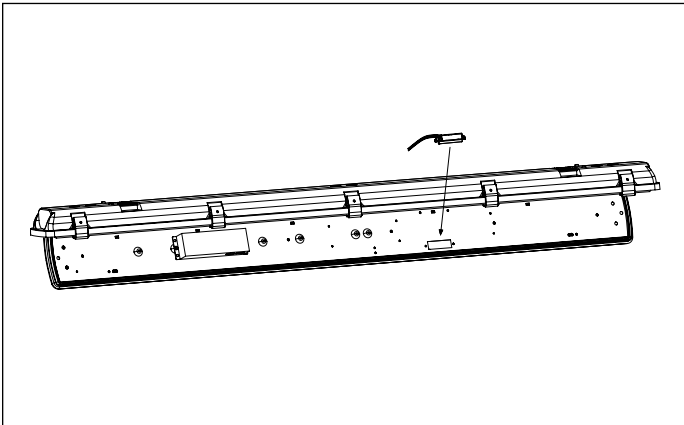
### DC Sensor (Preinstalled, order separately):



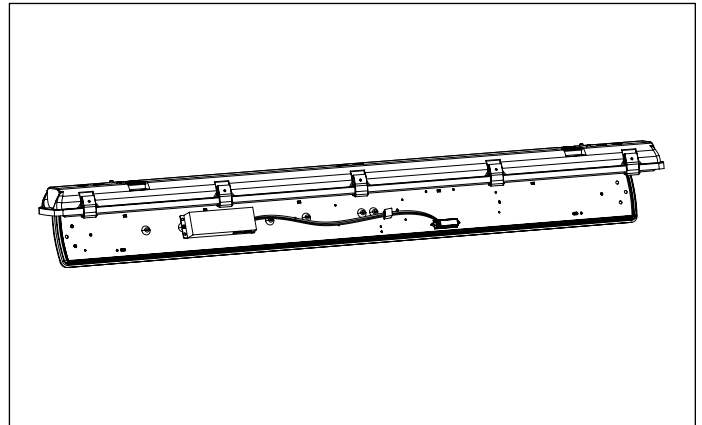
1. Release latches by pulling top of latch away from housing. Detach integrated light-part(LED tray and lens) from fixture.



2. Remove the sensor cover from the LED tray.

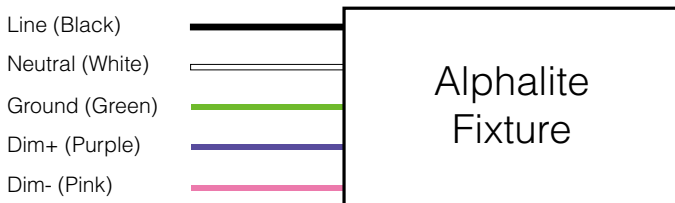


3. Install the sensor into the prepunched hole. Connect the driver dimming wires and 12V AUX wire to the approved sensor.



4. Reattach LED tray and lens to fixture by reversing step 1, then fasten the latches back firmly.

### Wiring Diagram:



# Alphasite